

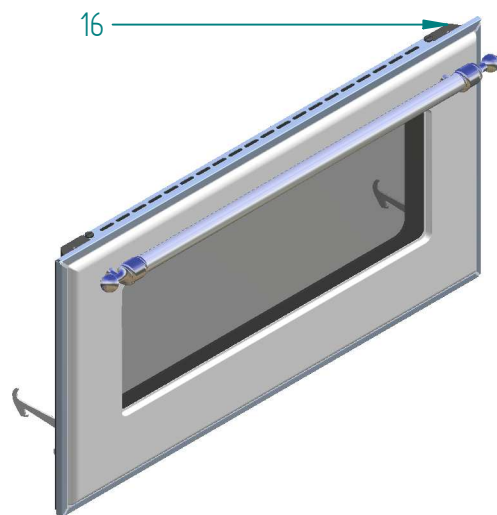
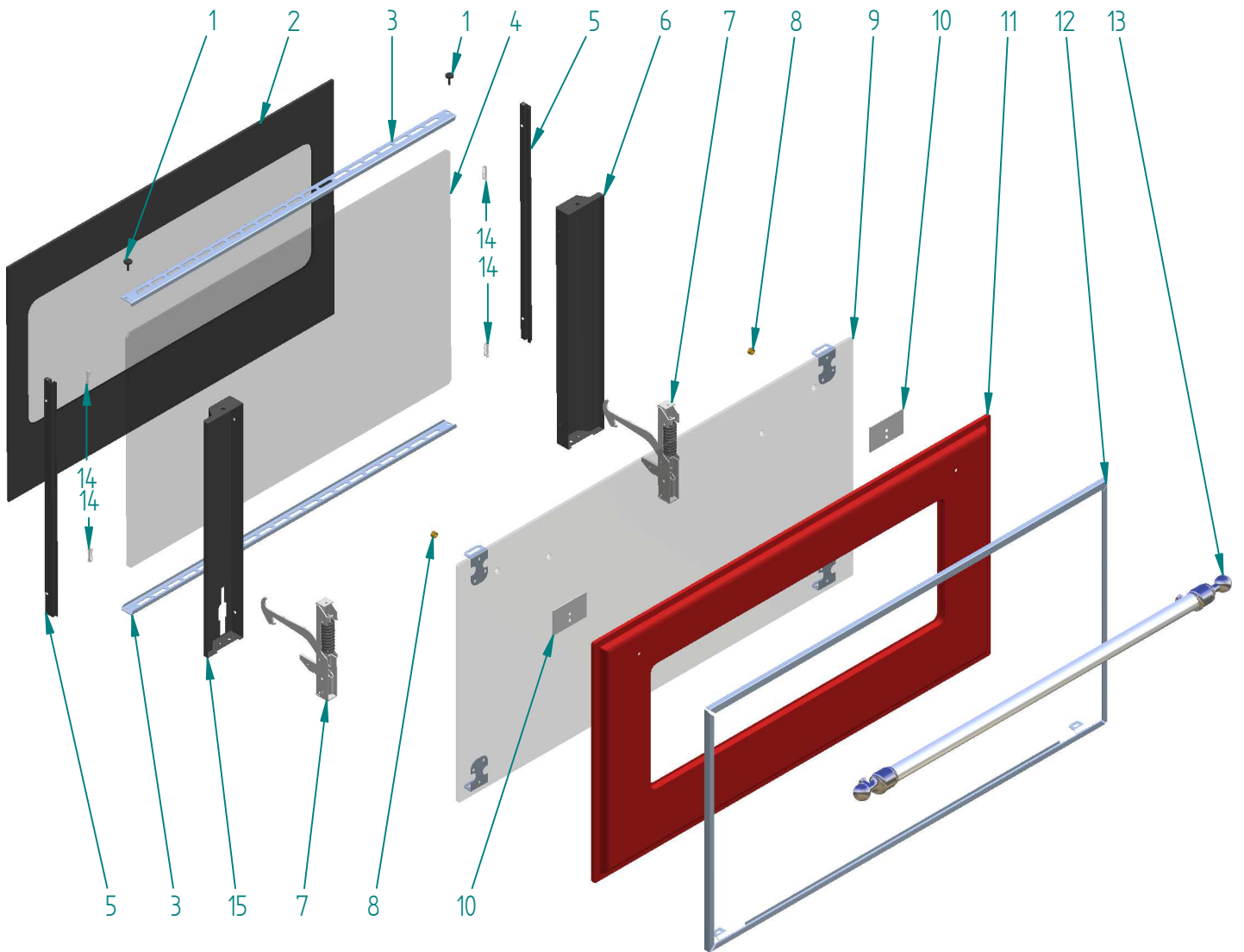
ILVE S.p.a.

UM_90FVG2

UM90FVG2

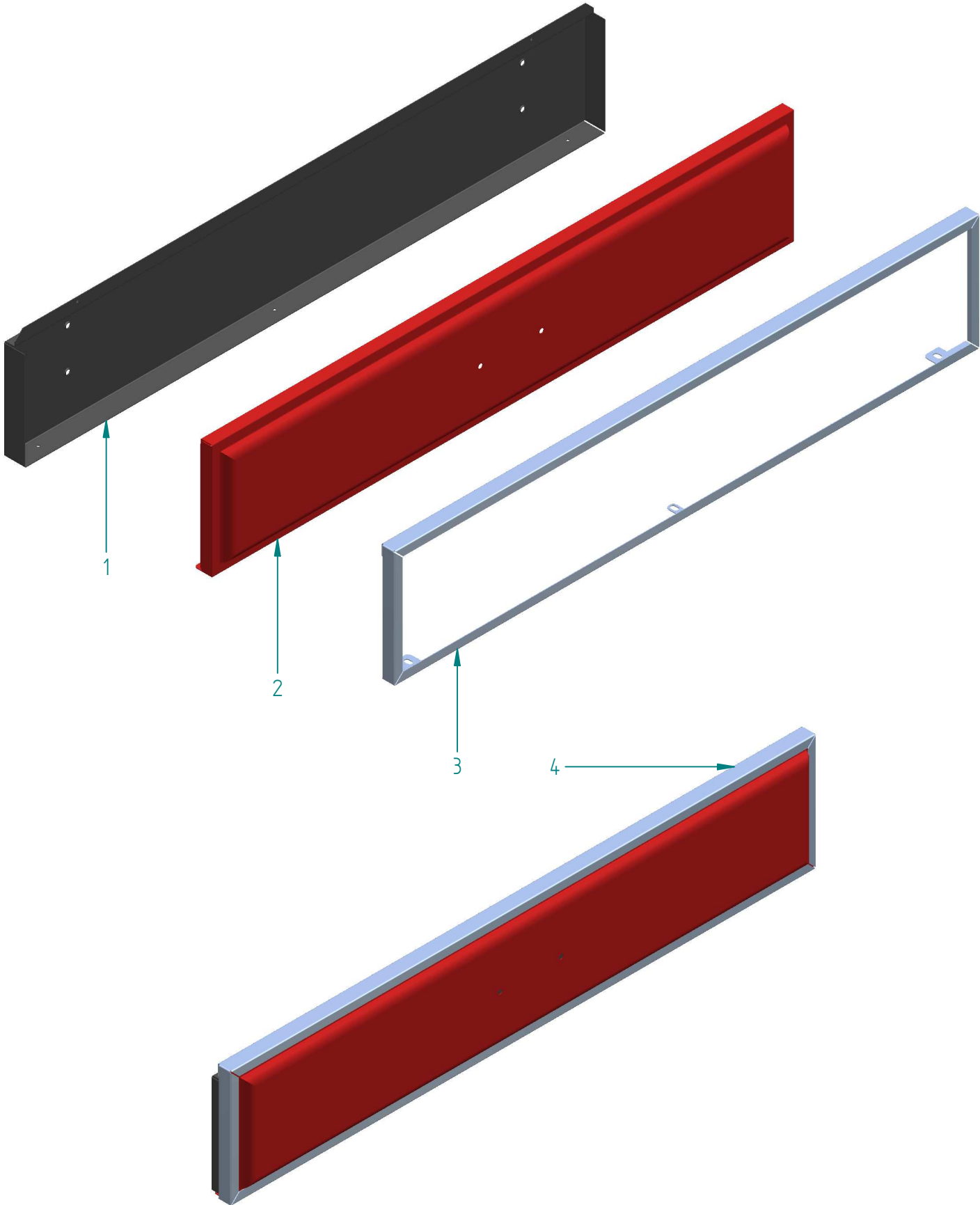
18/02/2010





<i>dis.</i>	<i>cod.</i>	<i>descrizione</i>	<i>description</i>
1	A/602/02	VITE ZIGR FERMAV/FERMAGR LAT FORNO	KNURLED SCREW FOR HOLDING GLASS /SIDE GRILLS FO.
2	A/504/86/86	VETRO INTERNO PORTA 900 TR VETRO	INNER DOOR GLASS
3	S/120/06/08	FERMAVETRO PO 80/90 TR VET INOX USA	GLASS STOP
4	A/504/86/85	VETRO INTERM PORTA 900 TR VETRO	DOOR GLASS
5	A/445/23	PROFILO GUIDA TRIPLO VETRO PORTA	PROFILE
6	S/022/28/14	CONTROPORTA FO 600/800 LAT DX NERO	RIGHT INSIDE DOOR FOR 60/80 OVEN
7	A/028/45	CERNIERA POR FO 90 3V (FARINGOSI)	3 GLASSES 90CM OVEN DOOR HINGE
8	A/065/00	DISTANZIALE OT DIS 347 MANIGLIA PORTA	BRASS SPACER FOR HANDLE
9	G/505/37/26	VETRO+SQ MAJESTIC 90 3V VETROSP	90CM DOOR GLASS / MIRROR
10	S/220/02	RINFORZO MAN PO MAJ-FRON CASS PT100	REINFORCEMENT
11	S/194/73/00	PORTA FO 90 MAJ BIANCO TR VETRO	80/90 MAJESTIC COOKER / WHITE
11	S/194/73/01	PORTA FO 90 MAJ BIAN ANT TR VETR	80/90 MAJESTIC COOKER / OLD WHITE
11	S/194/73/08	PORTA FO 90 MAJ INOX TR VETRO	80/90 MAJESTIC COOKER / ST ST
11	S/194/73/10	PORTA FO 90 MAJ MAT TR VETRO	80/90 MAJESTIC COOKER / MATT
11	S/194/73/52	PORTA FO 90 MAJ ROSS BORG TR VET	80/90 MAJESTIC COOKER / BURGUNDY
11	S/194/73/54	PORTA FO 90 MAJ BLU TR VETRO	80/90 MAJESTIC COOKER / MIDN BLUE
11	S/194/73/56	PORTA FO 90 MAJ VERDE SM TR VETR	80/90 MAJESTIC COOKER / EM GREEN
12	S/049/23/08	CORNICE PO 3V MAJ 90 INOX	ST.ST. CORNICE
12	S/049/23/16	CORNICE PO 3V MAJ 90 OTTONE	BRASS CORNICE
13	A/116/27/08	MAN/CORRIM CROMO MAJEST D=22 I=625	MAJESTIC CHROME HANDLE D=22 I=625
13	A/116/27/16	MAN/CORRIM OTTONE MAJEST D=22 I=625	MAJESTIC BRASS HANDLE D=22 I=625
14	A/402/13	MOLLA (CLIP FISSAGGIO) VETRO INTERMEDIO	SPRING
15	S/022/29/14	CONTROPORTA FO 600/800 LAT SX NERO	LEFT INSIDE DOOR FOR 60/80 OVEN
16	UG/754/00/08	PORTA COMPL 3V 90 MAJ BIAN-CRO USA	TRIPLE GLASS 90 CM DOOR / WHITE-CH
16	UG/754/00/16	PORTA COMPL 3V 90 MAJ BIANC-OTT USA	TRIPLE GLASS 90 CM DOOR / BIANC-BR
16	UG/754/01/08	PORTA COMPL 3V 90 MAJ B AN-CROM USA	TRIPLE GLASS 90 CM DOOR / OLD W-CH
16	UG/754/01/16	PORTA COMPL 3V 90 MAJ B AN-OTT USA	TRIPLE GLASS 90 CM DOOR / OLD W-BR
16	UG/754/08/08	PORTA COMPL 3V 90 MAJ INOX-CROM USA	TRIPLE GLASS 90 CM DOOR / ST ST-CH
16	UG/754/10/08	PORTA COMPL 3V 90 MAJ MAT-CROMO USA	TRIPLE GLASS 90 CM DOOR / MATT-CH
16	UG/754/10/16	PORTA COMPL 3V 90 MAJ MAT-OTT USA	TRIPLE GLASS 90 CM DOOR / MATT-BR
16	UG/754/52/08	PORTA COMPL 3V 90 MAJ RO BOR-CR USA	TRIPLE GLASS 90 CM DOOR / BURGUN-CH
16	UG/754/52/16	PORTA COMPL 3V 90 MAJ RO BOR-OT USA	TRIPLE GLASS 90 CM DOOR / BURG-BRA
16	UG/754/54/08	PORTA COMPL 3V 90 MAJ BLU-CR USA	TRIPLE GLASS 90 CM DOOR / BLUE-CH
16	UG/754/54/16	PORTA COMPL 3V 90 MAJ BLU-OTT USA	TRIPLE GLASS 90 CM DOOR / BLUE-BRA
16	UG/754/56/08	PORTA COMPL 3V 90 MAJ VE SM-CRO USA	TRIPLE GLASS 90 CM DOOR / EM GR-CH
16	UG/754/56/16	PORTA COMPL 3V 90 MAJ VERDE-OTT USA	TRIPLE GLASS 90 CM DOOR/EM GR-BRASS

%Titolo



<i>dis.</i>	<i>cod.</i>	<i>descrizione</i>	<i>description</i>
1	S/018/01	CONTROFRONTALE CASS SCV M90 MAT	M90 INSIDE DROWER FRONT
2	S/126/03/00	FRONTALE CASS SCV M90 BIANCO	DROWER FRONT FOR M70 WARMER FOOD WHITE
2	S/126/03/01	FRONTALE CASS SCV M90 BIAN ANT	DROWER FRONT FOR M90 WARMER FOOD OLD WHITE
2	S/126/03/08	FRONTALE CASS SCV M90 INOX	DROWER FRONT FOR M90 WARMER FOOD ST.ST.
2	S/126/03/10	FRONTALE CASS SCV M90 MAT	DROWER FRONT FOR M90 WARMER FOOD MATT
2	S/126/03/52	FRONTALE CASS SCV M90 ROSSO BORG	DROWER FRONT FOR M90 WARMER FOOD BURGUNDY
2	S/126/03/54	FRONTALE CASS SCV M90 BLU NOTTE	DROWER FRONT FOR M90 WARMER FOOD MIDN BLUE
2	S/126/03/56	FRONTALE CASS SCV M90 VERDE SMERAL	DROWER FRONT FOR M90 WARMER FOOD EM GREEN
3	S/049/14/08	CORNICE CRU/CASS M90 INOX	ST.ST. CORNICE
3	S/049/14/16	CORNICE CRU/CASS M90 OTTONE	BRASS CORNICE
4	G/070/00	FRONTALE COMPL CASS M90 BIANCO-OTT	COMPLETE DROWER FRONT M90 WHITE-BR
4	G/070/00/08	FRONTALE COMPL CASS M90 BIANCO-INOX	COMPLETE DROWER FRONT M90 WHITE-ST
4	G/070/01	FRONTALE COMPL CASS M90 BI ANT-OTT	COMPLETE DROWER FRONT M90 OLD WH-BR
4	G/070/01/08	FRONTALE COMPL CASS M90 BI ANT-INOX	COMPLETE DROWER FRONT M90 OLD WH-ST
4	G/070/08	FRONTALE COMPL CASS M90 INOX	COMPLETE DROWER FRONT M90 / ST.ST.
4	G/070/10	FRONTALE COMPL CASS M90 MAT-OTT	COMPLETE DROWER FRONT M90 / MATT-BR
4	G/070/10/08	FRONTALE COMPL CASS M90 MAT-INOX	COMPLETE DROWER FRONT M90 / MATT-STST
4	G/070/52	FRONTALE COMPL CASS M90 ROSSO B-OTTONE	COMPLETE DROWER FRONT M90 / BURG-BR
4	G/070/52/08	FRONTALE COMPL CASS M90 ROSS B-INOX	COMPLETE DROWER FRONT M90 / BURG-ST
4	G/070/54	FRONTALE COMPL CASS M90 BLU-OTTONE	COMPLETE DROWER FRONT M90 / BLUE-BR
4	G/070/54/08	FRONTALE COMPL CASS M90 BLU-INOX	COMPLETE DROWER FRONT M90 / BLUE-STST
4	G/070/56	FRONTALE COMPL CASS M90 VERDE S-OTTONE	COMPLETE DROWER FRONT M90 /GREEN-BR
4	G/070/56/08	FRONTALE COMPL CASS M90 VERD S-INOX	COMPLETE DROWER FRONT M90 /GREEN-ST

%Titolo

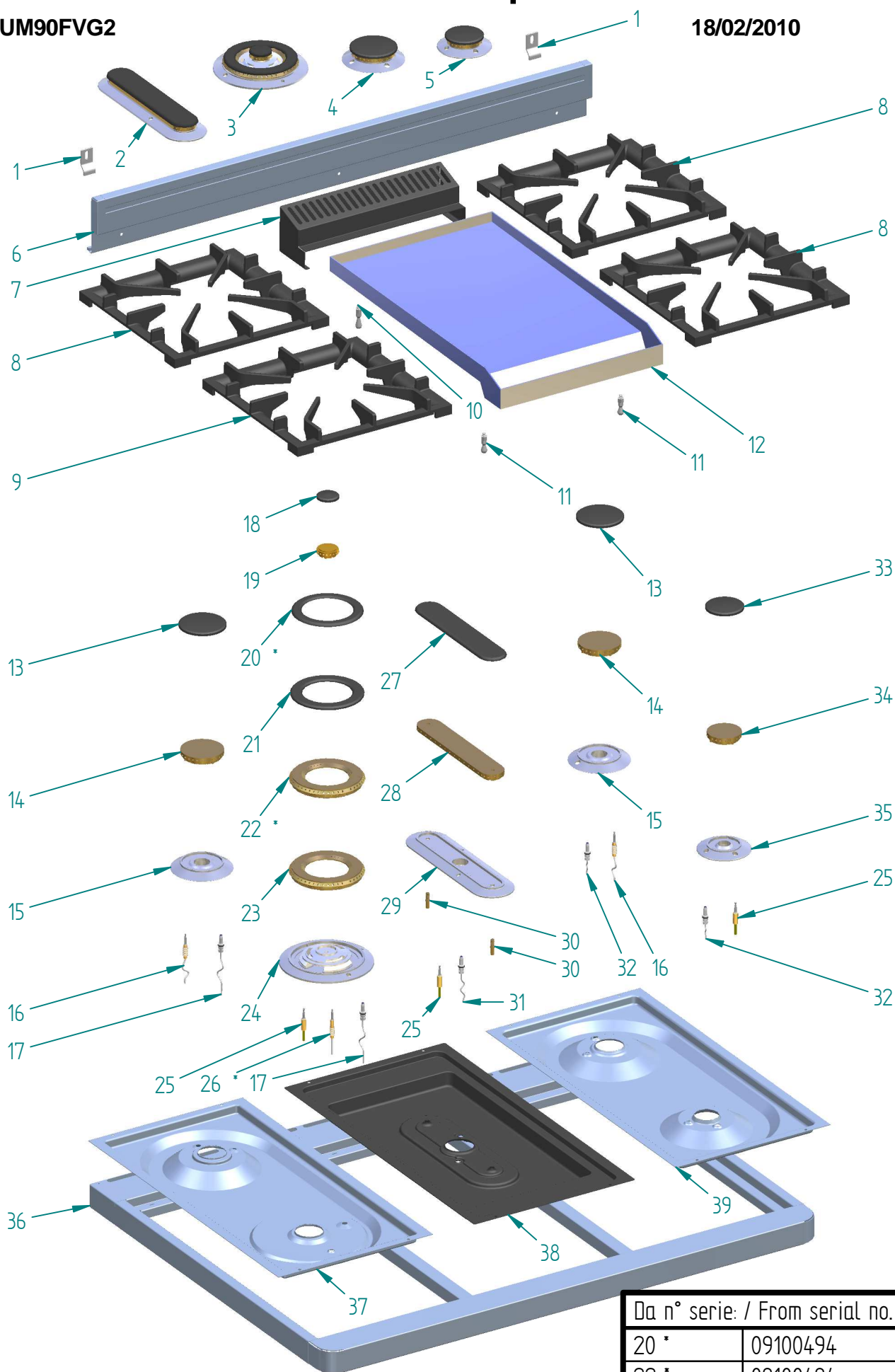
Tav.-3-

ILVE S.p.a.

UM_90FVG2

UM90FVG2

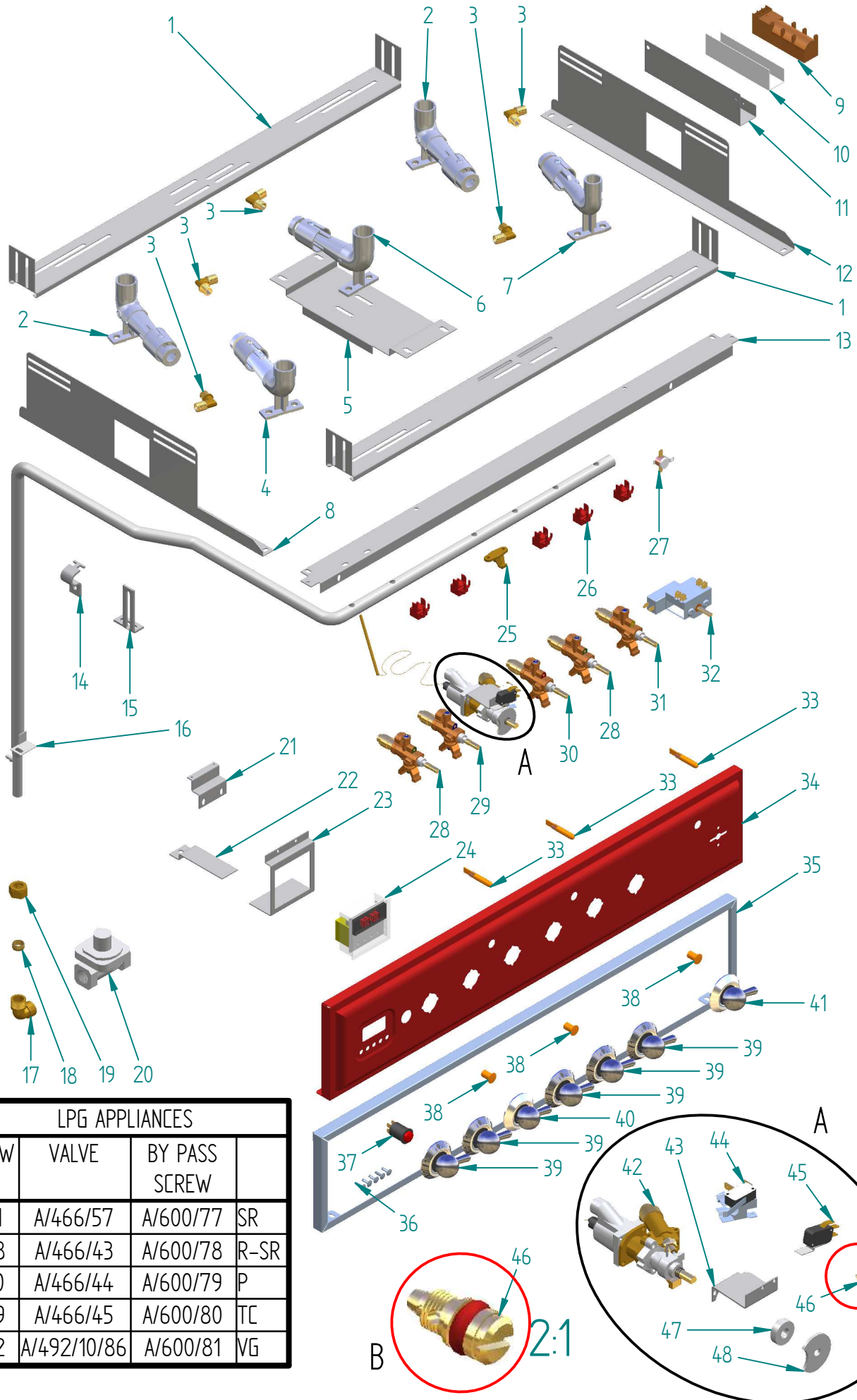
18/02/2010



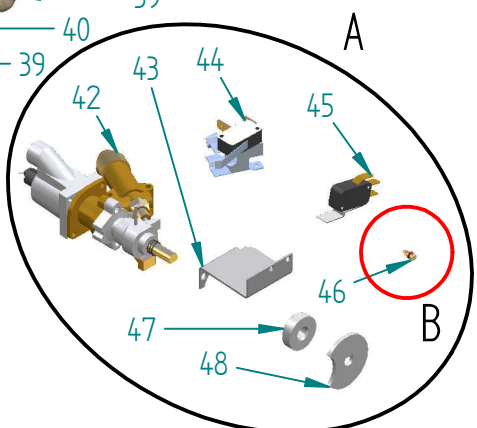
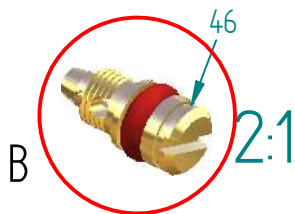
Da n° serie: / From serial no. :	
20 *	09100494
22 *	09100494
26 *	09100494

<i>dis.</i>	<i>cod.</i>	<i>descrizione</i>	<i>description</i>
1	S/232/45	SQUADRETTA FERMA CUCINA	BRACKET
2	KBR002	KIT BRUC PESCIERA 2 FORI	COMPLETE FISH BURNER (2 HOLES)
3	KBR001	KIT BRUC TRIPLA CORONA 2 FORI	COMPLETE TR RING BURNER (2 HOLES)
4	KBR003	KIT BRUC RAP PIANO/CUC PROF 2 FORI	COMPLETE RAPID BURNER (2 HOLES)
5	KBR004	KIT BRUC SEM RAP PIA/CUC PRO 2 FORI	COMPLETE SMALL RAPID BURN (2 HOLES)
6	S/002/19	ALZATINA CUCINA USA M90 INOX	SPLASH BACK
7	S/008/33/14	CAMINETTO FRY TOP PROFESS SMALT	FRY TOP CHIMNEY
8	A/092/78/10	GRIGLIA PROFESS 60 FORO 80 285X280 VETR	PROFESSIONAL GRILL HOB/COOK. 60 CM (1 HOLE 80 MM)
9	A/092/80/10	GRIGLIA PROFESS 60 FORO 120 285X280VETR	PROFESSIONAL GRILL HOB/COOK. 60 CM (1 HOLE 120 MM)
10	A/414/06	PERNO LUNGO INN PIA(INC/COMB)+FRY T	LONG COOKTOP PIN
11	A/414/04	PERNO CORTO INN PIA (APP)+FRY TOP	SHORT COOKTOP PIN
12	A/419/01	PIASTRA FRY TOP PROFESSIONAL	FRY TOP PLATE
13	A/048/02/10	COPRISPART GRANDE (S2) RAF MAT 3F	LARGE FLAME DIFFUSER COVER
14	A/478/12/90	SPARTIFIAMMA GRANDE	NEW LARGE FLAME DIFFUSER
15	A/488/11/91	TAZZINA P C GRANDE (2 FORI)	HOB COOKER LARGE CUP+IGN+S.V. HOLES
16	A/490/17	TERMOCOPPIA FLEX 70CM M8X1	THERMOCOUPLE 70
17	A/018/06	CANDELA ACC.(CAVO=MM800 H=MM28)	IGNITION PLUG MM 800
18	A/048/07/10	COPRISPART TC AUX RAF MAT 3F	TRIPLE RING BURNER SMALL COVER
19	A/478/17	SPARTIFIAMMA TC AUSILIARIO +INDEX	TR RING SMALL FLAME DIVIDER (INDEX)
20	A/048/09/10	COPRISPART TC GR 1V/DUAL RAF MAT 3F	TRIPLE RING FLAME DIVIDER COVER
21	A/048/00/10	COPRISPART TC GHISA GRANDE VETR	TRIPLE RING FLAME DIVIDER COVER
22	A/478/19	SPARTIFIAMMA TC GRANDE 1 V/DUAL	DUAL TRIPLE RING BIG FLAME DIVIDER
23	A/478/07	SPARTIFIAMMA TC GRANDE	NEW TRIPLE RING BIG FLAME DIVIDER
24	A/488/23	TAZZINA TC (2 FORI)	TRIPLER RING CUP+IGN+S.V. HOLES
25	A/490/03	TERMOCOPPIA FLEX 45CM M8X1	THERMOCOUPLE 45
26	A/490/19	TERMOCOPPIA TC 45CM M8X1 BIFIL	THERMOCOUPLE 45
27	A/048/04/10	COPRISPART PESCIERA RAF MAT 3F	FISH BURNER FLAME DIFFUSER COVER
28	A/478/08	SPARTIFIAMMA PESCIERA	FISH BURNER BRASS FLAME DIFFUSER
29	A/488/13	TAZZINA PESCIERA (2 FORI)	FISH BURNER CUP+IGN+S.V. HOLES
30	A/602/42	VITE PESCIERA 8X26XM6 OTTONE	RETAINING SCREW FOR FISH BURNER
31	A/018/04	CANDELA ACC.(CAVO=MM600 H=MM28)	IGNITION PLUG MM 600
32	A/018/02	CANDELA ACC.(CAVO=MM400 H=MM28)	IGNITION PLUG MM 400
33	A/048/06/10	COPRISPART PICCOLO (S1) RAF MAT 3F	SMALL FLAME DIFFUSER COVER
34	A/478/12/92	SPARTIFIAMMA PICCOLO	NEW SMALL FLAME DIFFUSER
35	A/488/11/93	TAZZINA P C PICCOLA (2 FORI)	HOB COOKER SMALL CUP+IGN+S.V. HOLES
36	S/238/87/08	TELAIO PIANO CUC USA M90B-F-V INOX	FRAME FOR M1207
37	S/216/13/08	RACCOGLIGOCCE P60-P665 1F+TC INOX	DRIP CATCHER 1 RING + DOUBLE RING P60-P665-PD90B
38	S/216/16/14	RACCOGLIGOCCE FRY TOP SMALT NERO	DRIP CATCHER FOR PROFESS FRY TOP
39	S/216/12/08	RACCOGLIGOCCE P60-P665 2F INOX	DRIP CATCHER 2 RINGS P60 P665 PD90B

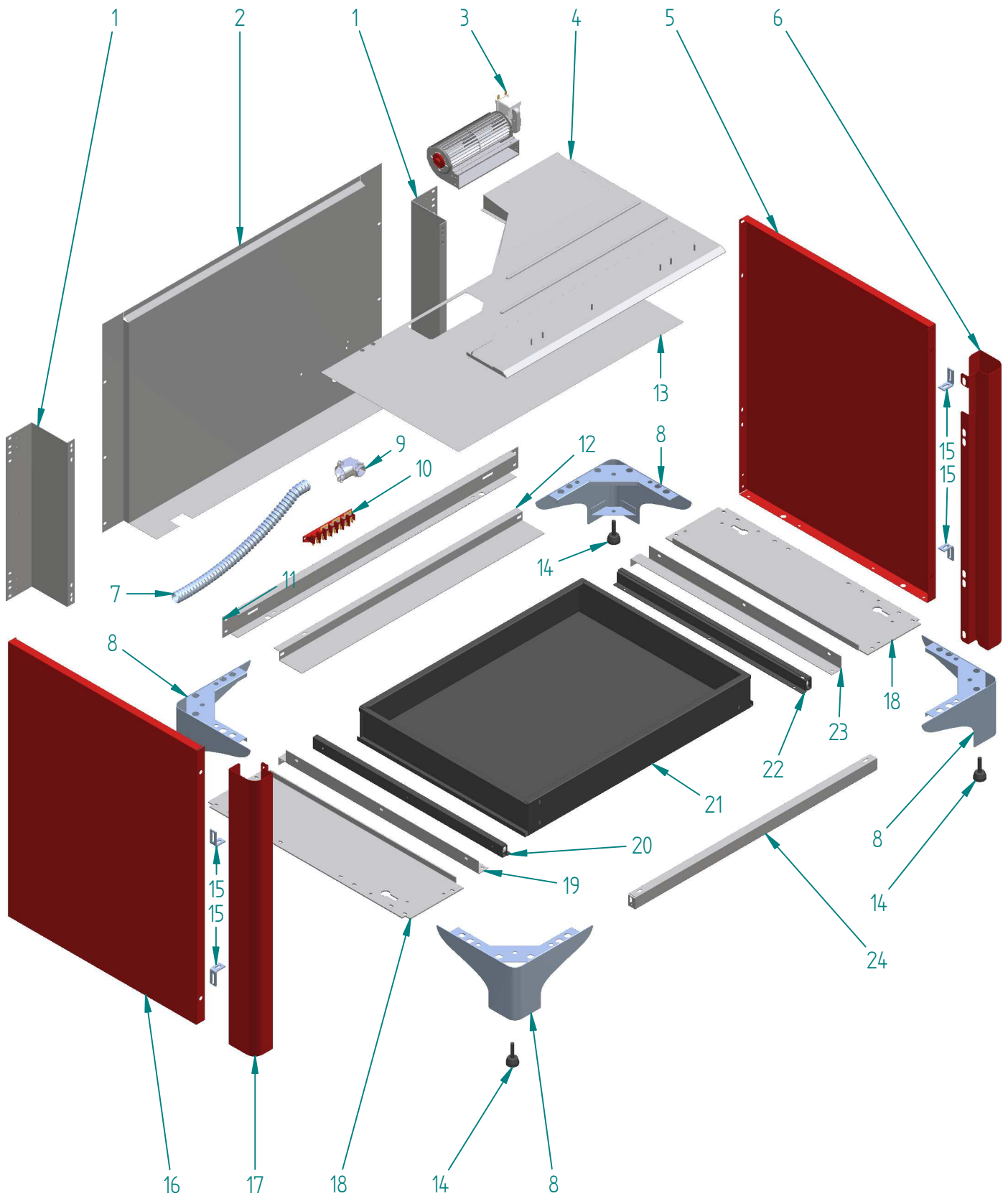
%Titolo



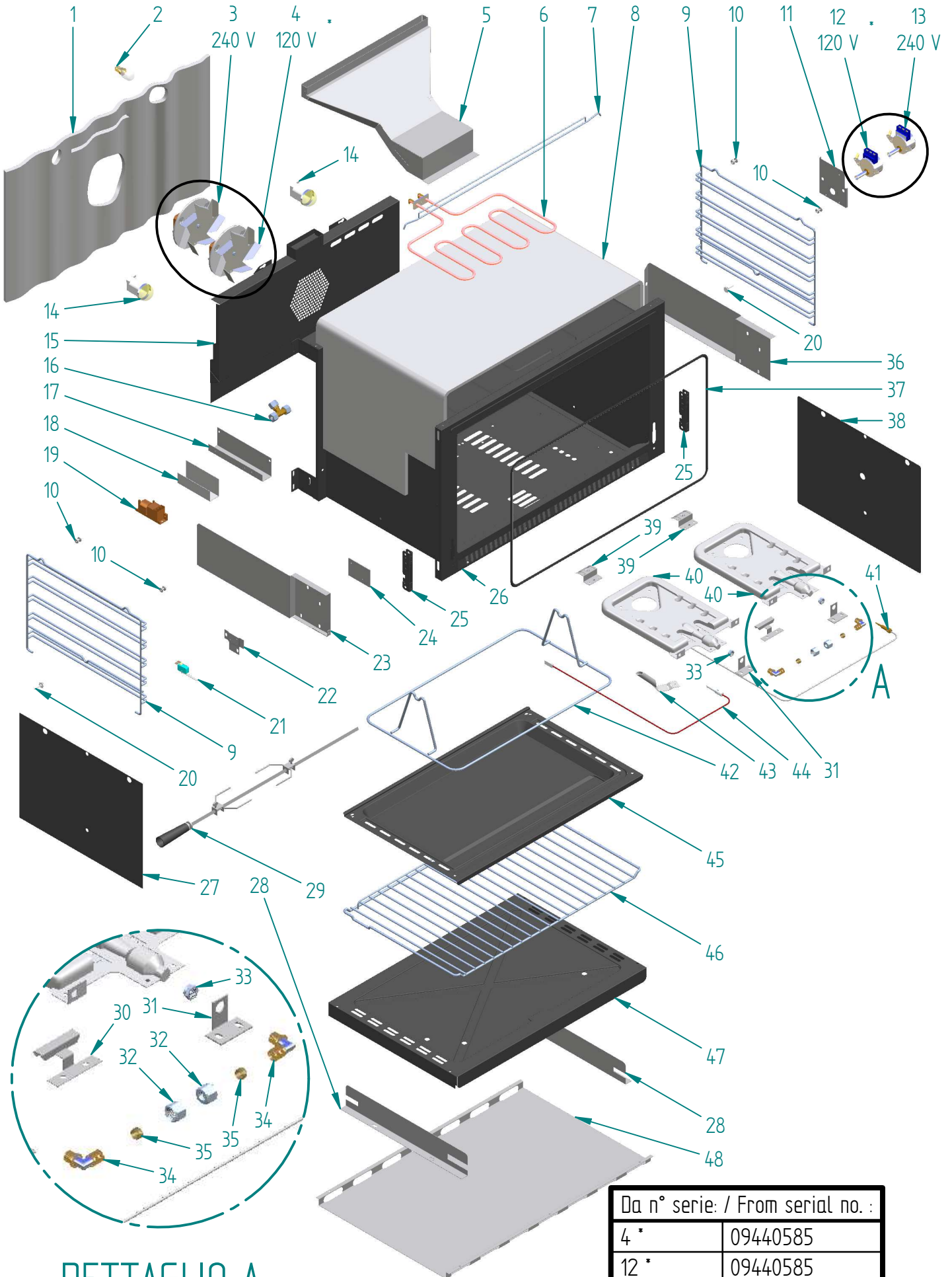
LPG APPLIANCES			
DRAW	VALVE	BY PASS SCREW	
31	A/466/57	A/600/77	SR
28	A/466/43	A/600/78	R-SR
30	A/466/44	A/600/79	P
29	A/466/45	A/600/80	TC
42	A/492/10/86	A/600/81	VG



<i>dis.</i>	<i>cod.</i>	<i>descrizione</i>	<i>description</i>
1	S/149/06	LISTELLO PORTABR P90-P90B-P906	BURNERS HOLDER FOR P90-P90B-P90_6
2	A/014/12/90	BRUCIATORE PIPA GRANDE (H=94)	BIG BURNER (H=94)
3	A/434/04	PORTAINIETT A GOMITO GRILL/FUOCHI	INJECTOR HOLDER GRILL/COOKTOP
4	A/014/12/92	BRUCIATORE PIPA GRANDE (H=80) TC PROFESSIONAL	BIG BURNER (H=80MM)
5	S/149/42	LISTELLO PORTABR FRY TOP	STRIP
6	A/014/12/93	BRUCIATORE PIPA GRANDE (H=86) PESCIERA PROFESSIONAL	BIG BURNER (H=86MM)
7	A/014/12/91	BRUCIATORE PIPA PICCOLO (H=94)	SMALL BURNER (H=94)
8	S/128/56	LATERALE PORTABR CUC MAJESTIC SX	BURNER HOLDER (DEPTH 50) SX
9	A/494/27	TRASFORMATORE ACC EL 6 FUOCHI UL	6 WAYS IGN TRANSFORMER
10	A/024/12	CARTONCINO ISOL NOMEX TRASF 6FUOCHI	NOMEX INSULATING CARD FOR IGNITION TRANSFORMER 6 BURNE
11	S/236/77	SUPPORTO TRASF ACC CUC PROFESSIONAL	EL. IGN. TRANSFORMER HOLDER FOR PROFESSIONAL COOKER
12	S/128/54	LATERALE PORTABR CUC MAJESTIC DX	BURNER HOLDER (DEPTH 50) DX
13	S/149/60	LISTELLO FERMACRU CUC M90	CONTROL BOARD ANCH STRIP FOR M90
14	S/004/02	BRIGLIA RAMP FORNO ELZN	OVEN RAMP CLAMP
15	S/232/63	SQUADRETTA FERMAR CU/FO 30/10 ZN CHMUFF CH	SMALL STOP RAMP CLAMP FOR OVENS AND COOKERS
16	A/454/93	RAMPA CUC 6+1 M90-MD100-M120S-B-V PRESA PRESSIONE	GAS RAMP
17	A/452/04	RACC CURVO PORTAG (SIRAL) 1/2" PO-04 D.14 OT 9360000070	HOSETAIL COUPLING (SIRAL)
18	A/004/04	BICONO 14MM RACCORDO PORTAGOMMA S135 944000016	HOSE NUT
19	A/062/20	DADO 1/2 D.14 RACCORDO PORTAGOMMA A/415/11 935002022	NUT HOSETAIL S.436/4
20	A/437/00	STABILIZZATORE PRESSIONE CSA	PRESSURE GAS REGULATOR
21	S/232/11	SQUADRETTA FERMA SUPP PROGR MAJ	BRACKET
22	S/232/66	SQUADRETTA BLOCC PR/CON FOR MUF RIB	BRACHET
23	S/236/07	SUPPORTO PROGR MAJESTIC EL145	PROGR HOLDER
24	A/446/42	PROGR EL145 5T BIPO UL 50/60HZ 230V	ELETTRONIC PROGRAMMER EL145
25	A/420/16	PIASTRINA OTTONE COPRI FORO RAMP	CLAMP
26	A/401/14	MICROINT ACC RUB SABAF CUC	IGNITION SWITCH
27	A/492/37	TERMOREG SIC NA 50°C UL	SAFETY THERMOSTAT UL
28	A/466/43	RUB ALLOG MICRO CUC VALV (40)R-SR	VALVE + S.V.
29	A/466/45	RUB ALLOG MICRO CUC VALV (64)TC	VALVE + S.V.
30	A/466/44	RUB ALLOG MICRO CUC VALV (52)P	VALVE + S.V.
31	A/466/57	RUB ALLOG MICRO CUC VALV (32) SR	VALVE + S.V.
32	A/492/01	TERM/COMM FORNO GAS-GRILL ELETTR L.IV48221708	THERM/SWITCH EL GRILL ON GAS OVEN
33	A/106/22	LAMPADA SPIA FAST 230 UL	230V LAMP
34	S/085/04/00	CRUSCOTTO CUC UM90B-F-V BIANCO	CONTROL BOARD UM90 / WHITE
34	S/085/04/01	CRUSCOTTO CUC UM90B-F-V BIAN AN	CONTROL BOARD UM90 / OLD WHITE
34	S/085/04/08	CRUSCOTTO CUC UM90B-F-V INOX	CONTROL BOARD UM90 / ST.ST.
34	S/085/04/10	CRUSCOTTO CUC UM90B-F-V MATT	CONTROL BOARD UM90 / MATT
34	S/085/04/52	CRUSCOTTO CUC UM90B-F-V RO BORG	CONTROL BOARD UM90 / BURGUNDY
34	S/085/04/54	CRUSCOTTO CUC UM90B-F-V BLU	CONTROL BOARD UM90 / MIDN BLUE
34	S/085/04/56	CRUSCOTTO CUC UM90B-F-V VER SM	CONTROL BOARD UM90 / EM GREEN
35	S/049/14/08	CORNICE CRU/CASS M90 INOX	ST.ST. CORNICE
35	S/049/14/16	CORNICE CRU/CASS M90 OTTONE	BRASS CORNICE
36	A/491/03	TASTO PROGR EL145/EL2000 METAL T1/2T=10 G=14,5	PROGRAMMER BUTTON / ST ST COLOUR
37	A/102/09	INTERRUTTORE (PULS) MOTOV RADIAL UL	MOTOR FAN SWITCH
38	A/080/00	GEMMA SPIA D.15 ARANCIO INCASTRO	ORANGE WARNING LIGHT FOR SWITCH
39	G/340/10/08	MANOPOLA MAJ GAS CUCINA NERO-CRO	GAS KNOB FOR MAJ COOKER / CHROME
39	G/340/10/14	MANOPOLA MAJ GAS CUCINA NERO-OTTONE	GAS KNOB FOR MAJ COOKER / BRASS
40	G/371/10/08	MANOPOLA MAJ TERM GAS °F 1 VIA CRO	GAS THERM KNOB MAJ COOKER / CHROME
40	G/371/10/14	MANOPOLA MAJ TERM GAS °F 1 VIA OTT	GAS THERM KNOB MAJ COOKER / BRASS
41	G/362/10/08	MANOPOLA MAJ TERM/COMM CROMO	THERM/COMM KNOB MAJ COOKER / CHROME
41	G/362/10/14	MANOPOLA MAJ TERM/COMM NERO OTTONE	THERM/COMM KNOB MAJ COOKER / BRASS
42	A/492/10/86	TERM GAS+MICRO 1 VIA CUC 90 (BP 62)	1 WAY GAS THERMOSTAT
43	S/232/48	SQUADRETTA PORTA INTERBLOCCO + ACCENSIONE	MICROSWITCH HOLDER
44	A/401/15	MICROINT ACC TERM GAS USA	IGNITION SWITCH
45	A/401/10	MICROINT SIC GRILL EL FORNO GAS 15A	MICRO SWITCH
46	A/600/81	VITE BY PASS 0,72 (FORNO 90)	0,72 BY PASS SCREW FOR GAS VALVE
47	A/065/02	DISTANZIALE PER CAMMA DIS 296	CAM SPACER (DWG. 296)
48	A/017/10	CAMMA MICRO VENT TANG FORNO GAS DIS 251	CAM FOR GAS OVEN COOLING FAN MICROS



<i>dis.</i>	<i>cod.</i>	<i>descrizione</i>	<i>description</i>
1	S/212/35	PROLUNGA LAT POST M90-150 DX-SX	SIDE BACK EXTENTION
2	S/036/82	COPRISCH CUC USA M90	BACK COVER M90 UL
3	A/406/07	MOTOV TANG L=180 120V CLASSE H UL	COOLING FAN
4	S/024/27	CONV CUC MD100 MUFF RIB	AIR CONVEYER
5	S/128/97/00	LATERALE CUC MAJESTIC DX BIANCO	SIDE PANEL DX MAJ COOKER / WHITE
5	S/128/97/01	LATERALE CUC MAJESTIC DX BIAN ANT	SIDE PANEL DX MAJ COOKER / OLD WH
5	S/128/97/08	LATERALE CUC MAJESTIC DX INOX	SIDE PANEL DX MAJ COOKER / ST ST
5	S/128/97/10	LATERALE CUC MAJESTIC DX MAT	SIDE PANEL DX MAJ COOKER / MATT
5	S/128/97/52	LATERALE CUC MAJESTIC DX ROSSO BOR	SIDE PANEL DX MAJ COOKER / BURGUNDY
5	S/128/97/54	LATERALE CUC MAJESTIC DX BLU NOTTE	SIDE PANEL DX MAJ COOKER / MID BLUE
5	S/128/97/56	LATERALE CUC MAJESTIC DX VERDE SMER	SIDE PANEL DX MAJ COOKER / EM GREEN
6	S/210/15/00	PROFILO CUC M90 DX BIANCO	RIGHT PROFILE FOR M90 / WHITE
6	S/210/15/01	PROFILO CUC M90 DX BIAN ANT	RIGHT PROFILE FOR M90 / OLD WHITE
6	S/210/15/08	PROFILO CUC M90 DX INOX	RIGHT PROFILE FOR M90 / ST.ST.
6	S/210/15/10	PROFILO CUC M90 DX MAT	RIGHT PROFILE FOR M90 / MATT
6	S/210/15/52	PROFILO CUC M90 DX ROSSO BORG	RIGHT PROFILE FOR M90 / BURGUNDY
6	S/210/15/54	PROFILO CUC M90 DX BLU NOTTE	RIGHT PROFILE FOR M90 / MIDN BLUE
6	S/210/15/56	PROFILO CUC M90 DX VERDE SMER	RIGHT PROFILE FOR M90 / EM GREEN
7	A/498/12	TUBO FLEX PROTEZIONE CAVI (3/4) UL	CONDUIT
8	S/191/00/08	PIEDINO CUC MAJ H=140 INOX	FOOT FOR MAJESTIC COOKER / ST.ST.
8	S/191/00/16	PIEDINO CUC MAJ H=140 DORATO	FOOT FOR MAJESTIC COOKER / BRASS
9	A/452/06	RACCORDO TUBO FLEX 90° 3/4" UL/CSA	CONNECTOR
10	A/404/05	MORSETTIERA FV273/7 7 POLI+TERRA UL	TERMINAL BOARD FV273/7
11	S/149/47	LISTELLO FERMACUC M90 POST INF	STRIP
12	S/149/50	LISTELLO ANCOR POST MUFF M90	STRIP
13	S/172/46	PARACALORE CUC 80/90 GAS MUF RIB	HEAT SHIELD FOR 80/90 GAS
14	A/422/15	PIEDINO GOMMA D.50 M8 H40 (FILETTO)	RUBBER FEET M8X5
15	S/232/49	SQUADRETTA FERMA-LAT CUC 60/80/PD90	CLAMP
16	S/128/98/00	LATERALE CUC MAJESTIC SX BIANCO	SIDE PANEL SX MAJ COOKER / WHITE
16	S/128/98/01	LATERALE CUC MAJESTIC SX BIAN ANT	SIDE PANEL SX MAJ COOKER / OLD WH
16	S/128/98/08	LATERALE CUC MAJESTIC SX INOX	SIDE PANEL SX MAJ COOKER / ST ST
16	S/128/98/10	LATERALE CUC MAJESTIC SX MAT	SIDE PANEL SX MAJ COOKER / MATT
16	S/128/98/52	LATERALE CUC MAJESTIC SX ROSSO BORG	SIDE PANEL SX MAJ COOKER / BURGUNDY
16	S/128/98/54	LATERALE CUC MAJESTIC SX BLU NOTTE	SIDE PANEL SX MAJ COOKER / MID BLUE
16	S/128/98/56	LATERALE CUC MAJESTIC SX VERDE SMER	SIDE PANEL SX MAJ COOKER / EM GREEN
17	S/210/69/00	PROFILO CUC M90 SX BIANCO	LEFT PROFILE FOR M90 / WHITE
17	S/210/69/01	PROFILO CUC M90 SX BIAN ANT	LEFT PROFILE FOR M90 / OLD WHITE
17	S/210/69/08	PROFILO CUC M90 SX INOX	LEFT PROFILE FOR M90 / ST ST
17	S/210/69/10	PROFILO CUC M90 SX MAT	LEFT PROFILE FOR M90 / MATT
17	S/210/69/52	PROFILO CUC M90 SX ROSSO BORG	LEFT PROFILE FOR M90 / BURGUNDY
17	S/210/69/54	PROFILO CUC M90 SX BLU NOTTE	LEFT PROFILE FOR M90 / MIDN BLUE
17	S/210/69/56	PROFILO CUC M90 SX VERDE SMER	LEFT PROFILE FOR M90 / EM GREEN
18	S/234/20	STAFFA PER PIEDINI CUC MAJESTIC	FEET STIRRUP FOR MAJESTIC COOKER
19	S/149/33	LISTELLO PORTAG CASS MAJ SX	STRIP
20	A/096/13	GUIDA INF/SUP SX CASS MAJES L=580	DROWER GUIDE
21	S/012/11/10	CASSETTO CUC M90 MAT	M90 DRAWER
22	A/096/12	GUIDA INF/SUP DX CASS MAJES L=580	DROWER GUIDE
23	S/149/32	LISTELLO PORTAG CASS MAJ DX	STRIP
24	S/149/51	LISTELLO FERMACUC M90 ANT INF	STRIP



Da n° serie: / From serial no. :	
4 *	09440585
12 *	09440585

<i>dis.</i>	<i>cod.</i>	<i>descrizione</i>	<i>description</i>
1	A/108/26	LANA DI VETRO SCHIENA FORNO 90 MULTAGU 80/20	FIBERGLASS OVEN BACK 90 MULTIFUNCTION
2	A/106/00	LAMPADA FORNO 110V	OVEN LIGHT 110V
3	G/406/00	MOTOVENTILATORE COMPL 240V 60HZ UL	COMPLETE FAN 230V
4	G/406/23	MOTOVENTILATORE COMPL 120V 60HZ UL	COMPLETE FAN 120V
5	S/008/34	CAMINETTO CUCINA USA MAJESTIC 90	MAJESTIC COOKER CHIMNEY
6	A/458/54	RESIST 2200W 230V GRILL 900G-GA NIP VDE UL	GRILL RESISTANCE 2200W 230V (900G-GA)
7	A/438/02	SUPPORTO RESIST SUP 900	RESISTANCE SUPPORT 900
8	A/108/12	LANA DI VETRO MANTELLO 900 1 ALL+AGU 60/17	FIBERGLASS MANTLE 900
9	A/092/43	GRIGLIA LAT FORNO MUFF CHIUSA 5 COR	OVEN SIDE GRILL
10	A/482/12	SUPPORTO GRIGLIA LAT. (FORNO)	GRILL SIDE SUPPORT (OVEN)
11	S/236/98	SUPPORTO MOTORIDUTTORE	SPIT GERED MOTOR HOLDER SUPPORT
12	A/406/03/02	MOTORID GIRARR (UL) 120V 60HZ	SPIT GEARED MOTOR 110V
13	A/406/03/01	MOTORID GIRARR (CE/UL) 230 50/60	SPIT GEARED MOTOR
14	A/436/02	PORTAL+LAMPADA 110V	OVEN LAMP HOLDER
15	S/170/61	PANNELLO AUTOP COPRIV 900VG2 USA	SELF CLEANING FAN COVER 90
16	A/452/10	RACCORDO OT T 3 VIE OT 3/8 + DADI PREDISP INNESTO TUBO E B	GAS TUBES CONNECTION
17	S/236/77	SUPPORTO TRASF ACC CUC PROFESSIONAL	EL. IGN. TRANSFORMER HOLDER FOR PROFESSIONAL COOKER
18	A/024/06	CARTONCINO ISOL NOMEX TRASF 4FUOCHI	NOMEX INSULATING CARD IGNITION TRANSFORMER
19	A/494/29	TRASFORMATORE ACC EL 2 FUOCHI UL	2 WAYS IGN TRANSFORMER
20	A/602/03	VITE ZIGR FERMAGR LAT MUFF CHIUSA	KNURLED SCREW SIDE GRILLS STOPPING
21	A/401/04	MICROINT SICUREZZA PORTA FORNO	SAFETY MICROSWITCH GAS OVEN DOOR
22	S/232/27	SQUADRETTA PORTA MICRO SIC PORTA FO	CLAMP
23	S/108/03	FERMA LANA DI VETRO SX 2002 APP MIC	FIBER GLASS STOP
24	S/190/06	PIASTRINA FERMA SQUADRETTA SUPPORTOMICRO SICUREZZA FORNI GA	
25	A/468/04	RULLINO+PORTARULL CERN TN (FARING)	RULLER
26	S/162/36/14	MUFFOLA 80/90 VG2 USA SM NERO	MUFFLE
27	S/170/02	PANNELLO AUTOP LAT 900SX E 60 DX-SX	SIDE SELF-CLEANING PANEL 600/900 RIGHT
28	S/091/17	DEFLETTORE FONDO MUFF 80/90 VG2 USA	DEFLECTOR
29	A/480/02	SPIEDO FORNO 8/900 TRASV L=565MM	TRANSVERSE SPIT 800/900
30	S/239/02	TUBO D'ONDA DOPPIO BRUC VG2 USA	BURNERS CONNECTOR
31	S/236/14	SUPPORTO PORTAINIETTORE FORNI VG	INJECTOR HOLDER SUPPORT
32	A/062/28	DADO BICONO 10 MM	NUT 10 mm
33	A/062/32	DADO DIS 247 FISSAGGIO BRUC FORNO	NUT DWG. 247 FIX OVEN BURNER
34	A/434/02	PORTAINIETT A GOMITO BRUC FORNO	INJECTOR HOLDER OVEN BURNER
35	A/004/00	BICONO FORNI 10 MM	OVEN NUT 10 mm
36	S/108/08	FERMA LANA DI VETRO DX 2002	FIBER GLASS STOP
37	A/094/70	GUARN MUFF MATR 09154/A 900 CHIUSA	900 OVEN GASKET
38	S/170/04	PANNELLO AUTOP LAT 900 DX (FORO GIRARROSTO)	SIDE SELF-CLEANING PANEL 900
39	A/482/28	SUPP BRUC FORNO VG H=17,5 2359481	OVEN BURNER HOLDER
40	A/014/13	BRUCIATORE FORNO VG/600 BOMBATO	OVEN BURNER
41	A/490/16	TERMOCOPPIA 180 CM FO VENT GAS	THERMOCOUPLE
42	A/482/10	SUPP GIRAR DIS 167 FORNO/CUCINA 90	SPIT SUPPORT 90X60
43	A/498/10	ACCENDINO LAT BRUC FORNO	BURNER IGNITION PIPE
44	A/018/22	CANDELA BRUC FORNO CAVO=MM1750	GAS OVEN PLUG m/m 1400
45	S/146/04	LECCARDA 80/90 NERO	ENAMELLED DRIPPING PAN 80/90
46	A/092/39	GRIGLIA FORNO 90X60 RINFORZATA USA	OVEN GRID
47	S/230/16	SOTTOFORNO 80/90 COMPL VG2 USA NERO	OVEN BOTTOM 80/90 E/M
48	S/228/08	SOTTOFONDO 900 VG USA	GAS OVEN BOTTOM 900 UL